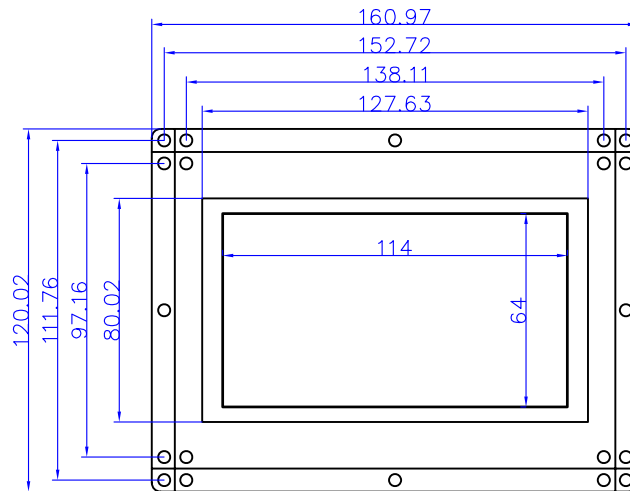


DATA SHEET D MODEL LCD DISPLAY

Mechanical mounting



Front

Back

Technical Specifications

Product Type	128x64 pixel blue STN graphics LCD with SuperWhite LED backlighting
Power Supply	Operating Voltage 12V-35VDC Power consumption 50mA @ 24VDC
Dimensions	PCB Size 161x120mm, v-grooved to 147x106mm LCD Size 114x64 mm
Interface	Programmable using PLD PC software and PP2200 programming/simulator kit
Key Features	<ul style="list-style-type: none"> LCD indicator for elevators 128 x 64 pixel resolution, 114 x 64mm visible area Preprogrammed to EN 81, no customer modifications necessary 32 floor range, all pixels freely programmable Inputs: Grey, binary, 7 segment digital, D01, counting type Dedicated Overload, Busy, Door Open, Fire Control and Out of Service status signaling Travelling direction arrows and next stop direction decoding is possible Automatic detection of positive or negative signaling common Reduce heat generation and power consumption through switched mode power supply SMT type production, stable and durable single layer PCB design Pluggable terminals with 24 different mounting holes for easy installation 11 long life SuperWhite LED backlighting Floor independent advertising/information mode

MODEL
08.LCD.D
12864