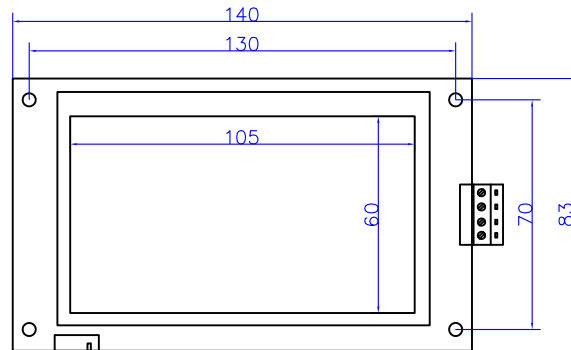


## DATA SHEET 08.TFT.UD.V3



TFT.UD.  
V3

### Technical Specifications

<b>Display type</b>	Full colour display
<b>Resolution / pixels</b>	480 x 272
<b>Contrast ratio</b>	400 : 1
<b>Viewing area (L x H) (mm)</b>	4,7" - 105x60
<b>Color Depth</b>	16BIT
<b>Dot pitch (mm)</b>	0.198 x 0.198
<b>Overall display dimensions (mm)</b>	140(L) x 83(W) x 13(D)
<b>Mounting dimensions (mm)</b>	4 x Ø4, 130x70
<b>View Angle X-axis</b>	+80 / -80
<b>View Angle Y-axis</b>	+80 / -80
<b>Temperature range</b>	-20° - 60°C
<b>Humidity</b>	10% - 90% non condensing
<b>Luminance(White)</b>	165cd/sqm
<b>Operating Voltage</b>	12-27VDC with switching power supply
<b>Current consumption</b>	120mA@24VDC
<b>Parallel interface</b>	10 inputs, Binary, Gray code, 1 to 1, 7-segment
<b>Serial</b>	With our serial card you can change the floor symbols on the display by changing the serial driver parameters. You can have 4 status messages
<b>PC</b>	Special program cable, PC connection USB
<b>Fireware update</b>	Users can update the firmware
<b>Special</b>	Universal Display software allows programming in three easy steps
<b>Status messages</b>	Yellow Bell(EN 81.70) & Green Head (EN 81.70)
	overload and fire control
<b>Status messages with serial card</b>	Emergency light function
<b>Blinking parallel</b>	Arrow and status messages
<b>Blinking with serial card</b>	Arrow and status messages drive by input

08