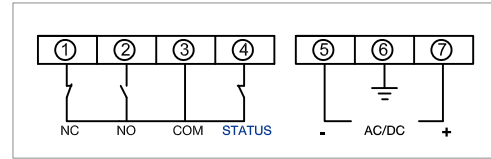
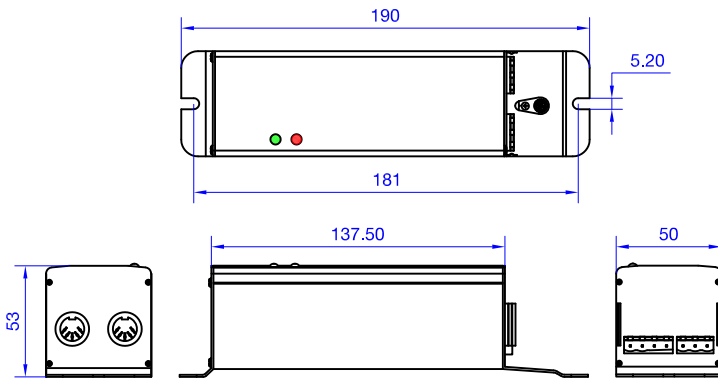


Dimensions



03.G5.PWS.FD2.230	220VAC±15%, 50/60Hz, 4W
03.G5.PWS.FD2.24	15VDC - 30VDC, 4W

LED Indicators



RED LED		On	Beams obstructed or system fault
RED LED		Off	Normal
GREEN LED		On	Power on
GREEN LED		Off	Power off

EN 81-20: 2014 Section 5.3.6.2.2.1 b) 1) and 2)

The STATUS output has been added to the F series power supply to provide a separate confirmation that the door detector system is functioning correctly. It is a NC "NC1" (failsafe) output. Some interpretations of the standard require this output. The majority do not.

NC (1 & 3) or NO (2 & 3)	Beams are interrupted	
	Wiring defective	
STATUS NC1 (3 & 4) 'optional output'	NC	PWS power on 'OK'
	NC	Microprocessor 'OK'
	NO	System fault

The NC1 "STATUS" output is an optional extra connection to satisfy those interpretations of the standard that require a separate door detector system feedback. When connected it functions in parallel with the NC/NO outputs; therefore, a double positive output is required to indicate the door detector beams are all working and that the system STATUS is "OK".

If the NC1 is not connected the power supply and door detector will function normally.

Doc. Nr.	03.G5.PWS.FD2	Date	08.FEB.2018
Control	E317401F-JLM		