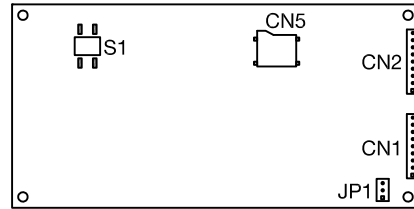
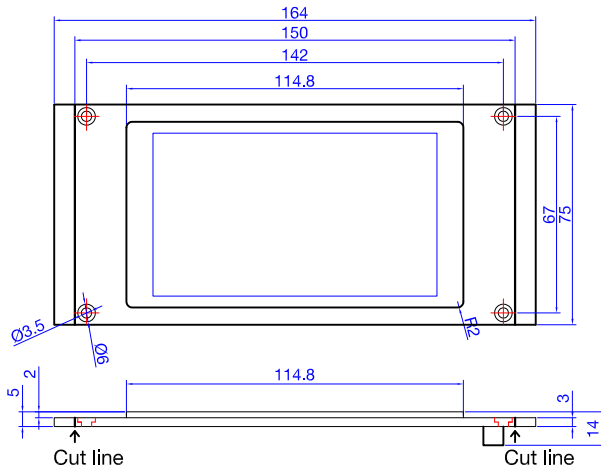


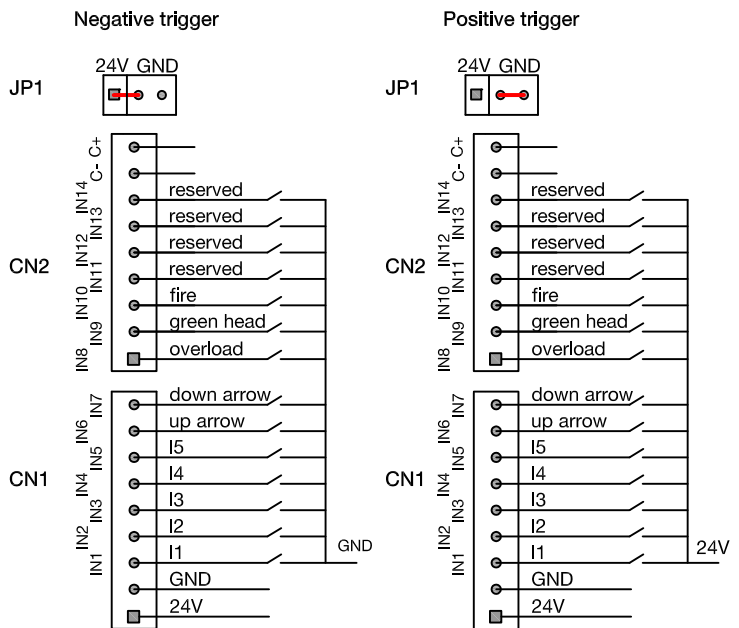
Dimensions and configuration



Terminals

CN1/CN2	Signal input	
CN5	Picture upload interface	
JP1	Select input power	
S1	Function setting	
	ON	OFF
S1 -1	Setting mode	Normal
S1 -2	Can bus terminal resistance	Non can bus terminal resistance

Wiring diagram for parallel input



Technical specification

Rated voltage	24VDC
Tolerated input voltage	12-30VDC
Communication interface	Parallel input
Display	4.3" TFT LCD
Resolution	480x272
Colour	16.7M
Brightness	500cd / m ²
Display content	Lift status
Full PCB dimension	75x164mm
Cut PCB dimension	75x150mm
Power consumption	58mA@24VDC

Doc. Nr.	08.TF3.43F	Date	15.MAR.2014
Control	E83162-DC/JZ		