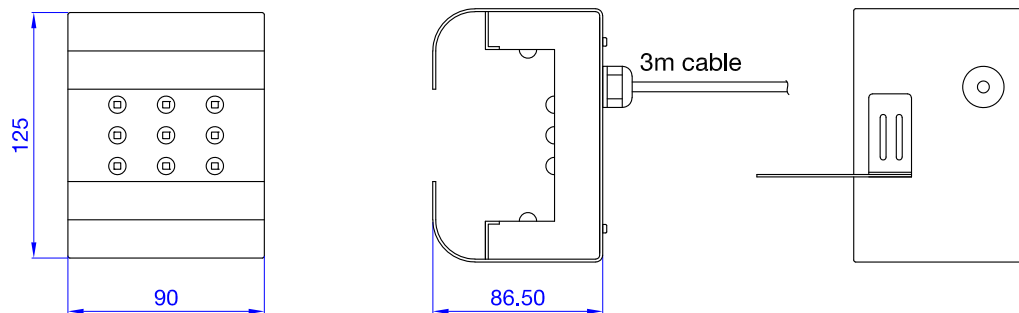
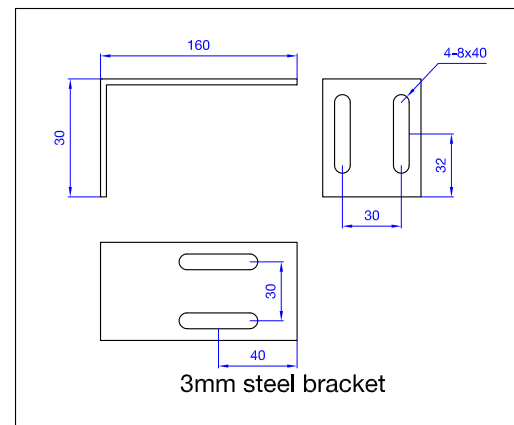
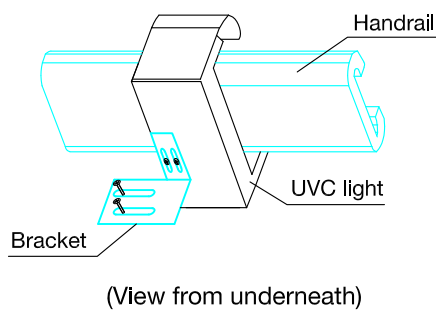


### Dimensions



### Installation



### Technical features

<b>Input voltage</b>	24VDC	<b>Wavelength</b>	270-280nm	<b>LED type</b>	SMD3030
<b>Rated current</b>	<0.3A	<b>Irradiation area</b>	95x95mm	<b>LED quantity</b>	24 pieces
<b>IP rating</b>	IP65	<b>Max. sterilisation distance</b>	<=15mm	<b>Lens material</b>	quartz glass
<b>Working temp.</b>	-25 to 50°C	<b>Initial irradiance</b>	450uw/cm <sup>2</sup> , @15mm	<b>Lifespan</b>	>30,000 cycles
<b>Storage temp.</b>	-30 to 70°C	<b>Tested sterilization time</b>	15S @15mm		>10,000 hours

### Warnings



UV-C light is harmful to human skin and eyes.  
Installation only in a sealed and protected enclosure.



This is not a medical device. Local regulations, where existing,  
may not be met. Installation by qualified staff only.