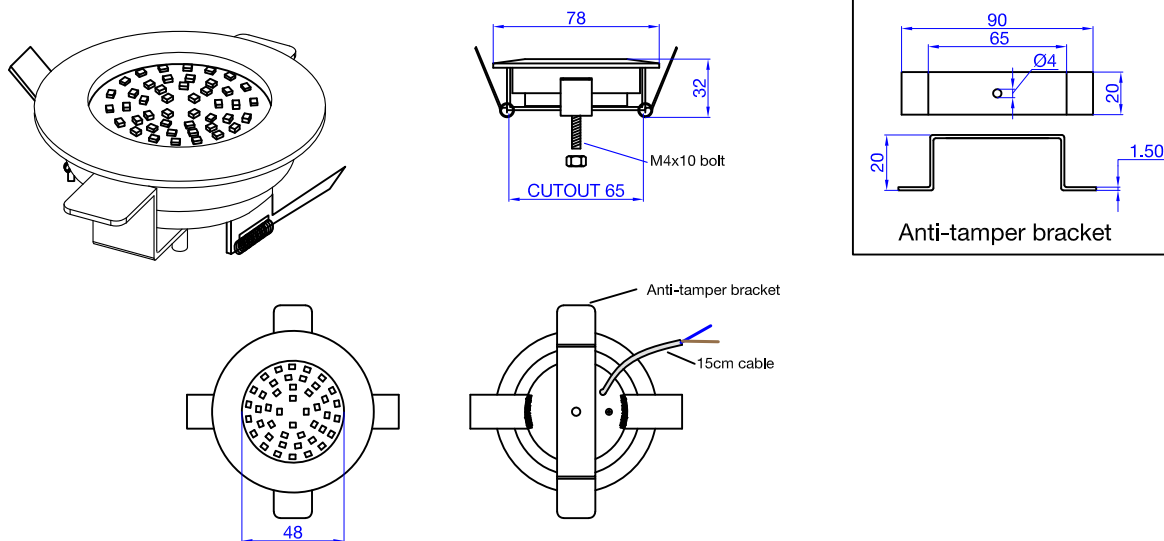


Dimensions



Technical features

Input voltage	10-30V DC/AC	Lumens	300lm	LED chips	Sanan SMD2835, 46pcs
Power	3W	Light efficiency	112.1lm/W	Material	Aluminium + PC lens
Power factor	0.6	Ra	84.6	Driver	Internal driver
Lifespan	25,000 hrs	Switching cycle	>100,000	Ambient temp.	-20°C to 50°C

Model number

Code	Collar colour	Lens type	CCT
04.FCL.C1T6	Chrome	Transparent	6000K
04.FCL.C1T3	Chrome	Transparent	3000K
04.FCL.W1T6	White	Transparent	6000K
04.FCL.W1T3	White	Transparent	3000K
04.FCL.C1M4	Chrome	Milky	4500K
04.FCL.W1M4	White	Milky	4500K

Packaging

