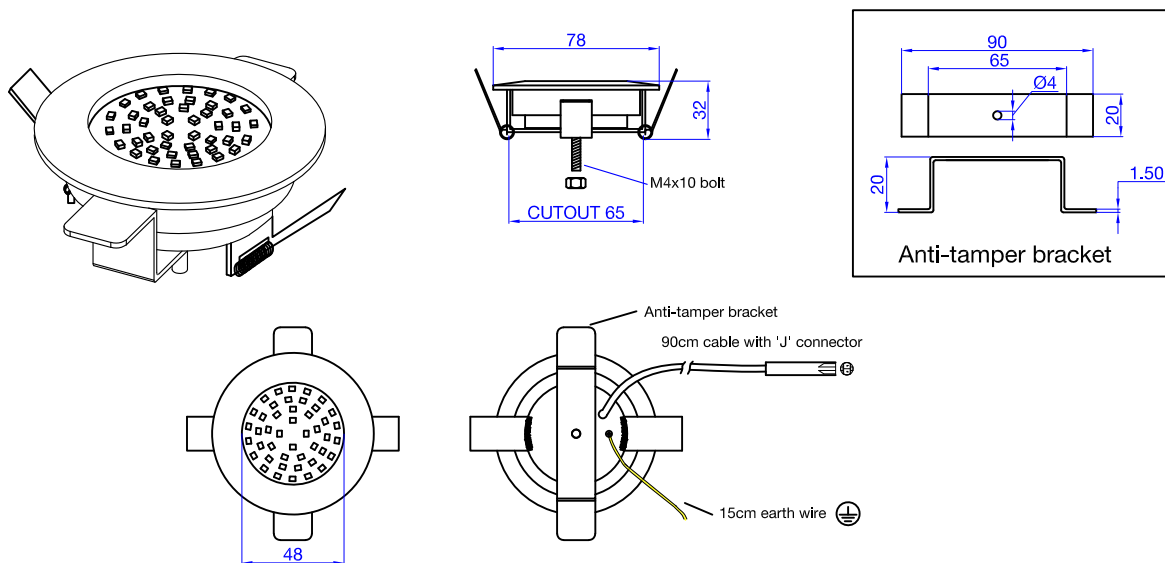


Dimensions



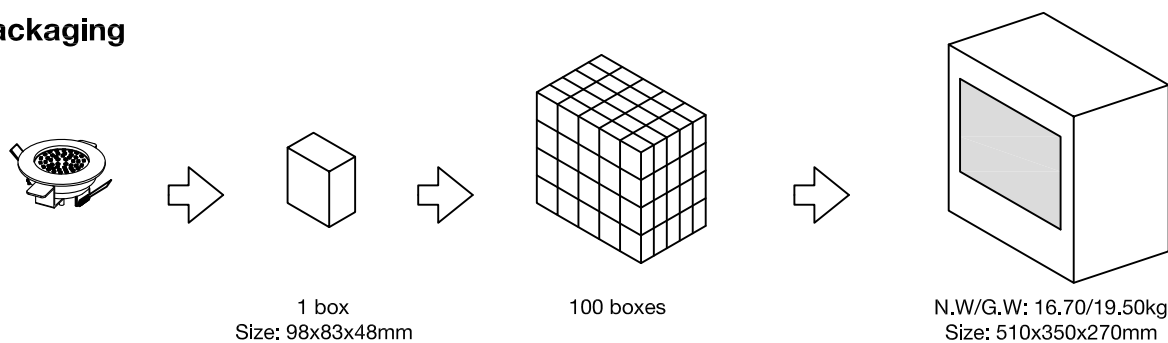
Technical features

Input voltage	200-240VAC	Lumens	300lm	LED chips	Sanan SMD2835, 45pcs
Power	3W	Light efficiency	115.4lm/W	Material	Aluminium + PC lens
Power factor	0.6	Ra	84.6	Driver	Internal driver
Lifespan	25,000 hrs	Switching cycle	>100,000	Ambient temp.	-20°C to 50°C

Model number

Code	Collar colour	Lens type	CCT
04.FCL.C2T6.J09	Chrome	Transparent	6000K
04.FCL.C2T3.J09	Chrome	Transparent	3000K
04.FCL.W2T6.J09	White	Transparent	6000K
04.FCL.W2T3.J09	White	Transparent	3000K
04.FCL.C2M4.J09	Chrome	Milky	4500K
04.FCL.W2M4.J09	White	Milky	4500K

Packaging



Doc. Nr.	04.FCL.x2xx.J09	Date	21.MAY.2021
Control	E41111F-DJ		