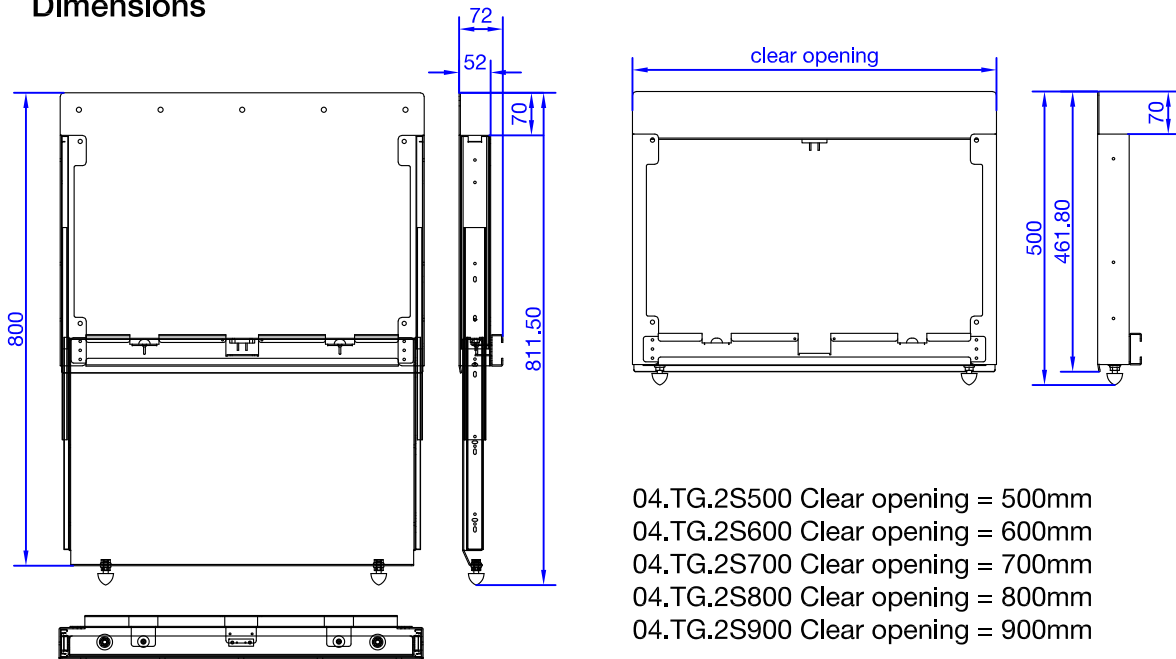


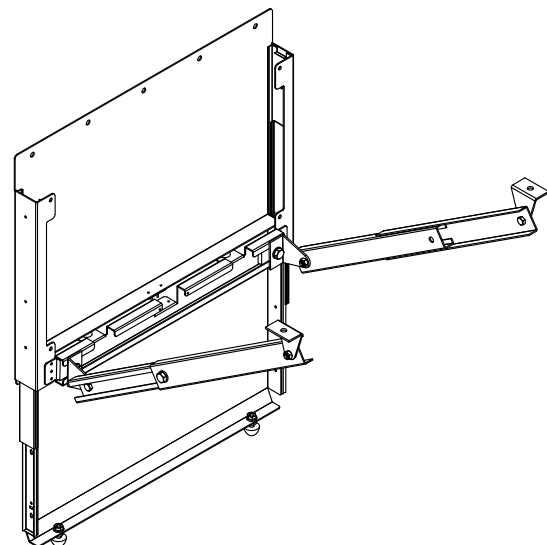
Dimensions



- 04.TG.2S500 Clear opening = 500mm
- 04.TG.2S600 Clear opening = 600mm
- 04.TG.2S700 Clear opening = 700mm
- 04.TG.2S800 Clear opening = 800mm
- 04.TG.2S900 Clear opening = 900mm

Installation Notes

1. Installation by Qualified Team only. It is the responsibility of the elevator company to comply with all necessary local Health and Safety measures, including signage, before putting the elevator back in service and "on the market" to current EU standards.
2. Position the door sill mid-way on the ground floor and switch off the elevator power. Protect against the possibility of falling into the elevator shaft.
3. Affix the toe guard securely to the door sill, guarding against the possibility of vibration and especially distortion of the vertical plane. Carefully and securely install the arms back to the sub-floor structure of the elevator.
4. Test the safety switch located on the toe guard to ensure soundness.
5. Once securely installed and the safety switch has been tested; one member of the team should travel with the elevator to the top of the shaft and then down again while the other member listens from the landing on the lowest floor to ensure the toe guard quietly retracts. If the toe guard is "noisy" either the arms and sill fixings need to be re-adjusted and perform the test-run again.
6. Once correctly installed the impact points and impact area needs to be marked on the pit floor; and regular testing needs to be added to the maintenance protocol of the elevator.



Doc. Nr.	04.TG.2S	Date	30.JAN.2013
Control	E44112F-DJ		