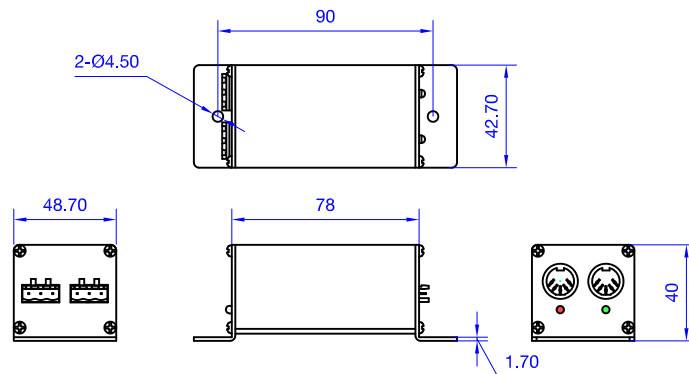
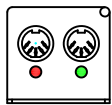


Dimensions

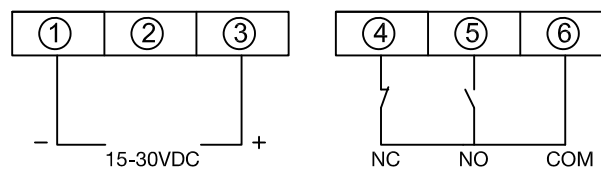
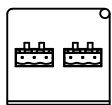


LED Indicators



RED LED		On	Beams obstructed or system fault
RED LED		Off	Normal
GREEN LED		On	Power on
GREEN LED		Off	Power off

Wiring



Model

03.G5.PWS.DC3.24	15VDC - 30VDC
------------------	---------------