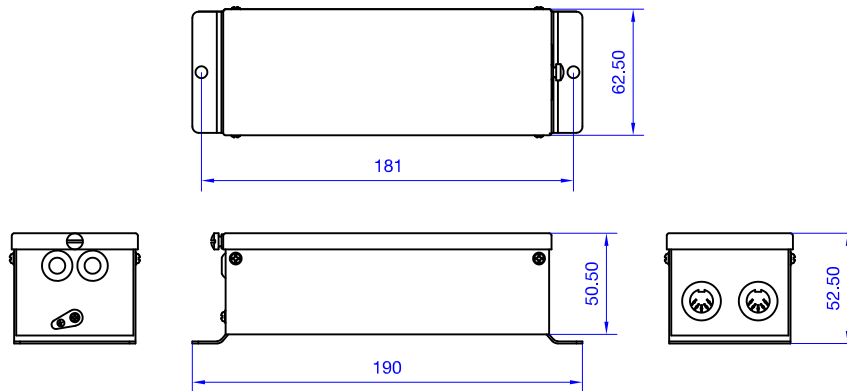
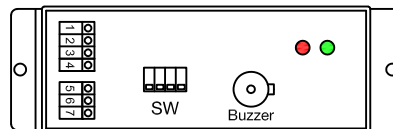


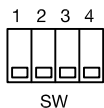
Dimensions



LED Indicators & Buzzer Settings

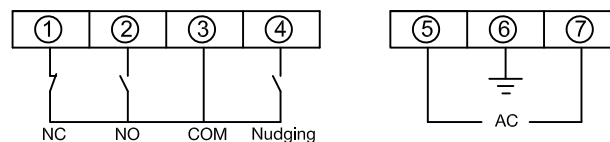


|           |  |     |                                  |
|-----------|--|-----|----------------------------------|
| RED LED   |  | On  | Beams obstructed or system fault |
| RED LED   |  | Off | Normal                           |
| GREEN LED |  | On  | Power on                         |
| GREEN LED |  | Off | Power off                        |



|     |                  |    |              |     |            |
|-----|------------------|----|--------------|-----|------------|
| SW1 | Buzzer functions | On | Buzzer on    | Off | Buzzer off |
| SW2 | Buzzer delay     | On | Delay 20s    | Off | Delay 30s  |
| SW3 | Buzzer active    | On | Infinite     | Off | 60s        |
| SW4 | Buzzer setting   | On | Intermittent | Off | Constant   |

Wiring



**!** The nudging output will activate after 60 seconds of continuous interruption of the beams. The relay will remain open during normal operation but will close when the nudging output is activated.

Model

|                   |                         |
|-------------------|-------------------------|
| 03.G5.PWS.XN5.230 | 220VAC±15%, 50/60Hz, 4w |
| 03.G5.PWS.XN5.110 | 110VAC±15%, 50/60Hz, 4w |