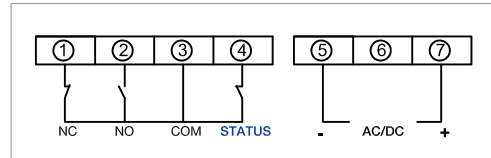
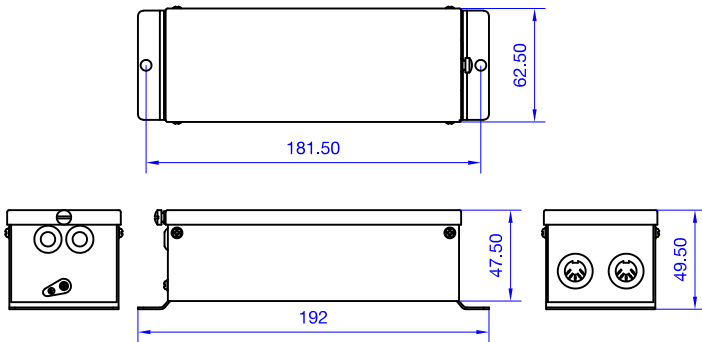


Dimensions



Wiring

03.G5.PWS.FX6	220VAC±15%, 50/60Hz, 4W
	15VDC - 30VDC, 4W

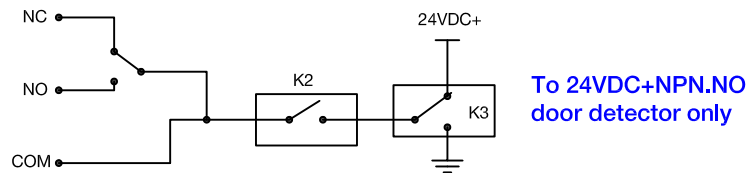
Settings for LED indicators & switches

Red LED	<input checked="" type="radio"/>	Beams obstructed or system fault	Green LED	<input checked="" type="radio"/>	Power on
	<input type="radio"/>	Normal		<input type="radio"/>	Power off

ON	Buzzer on	OFF	Buzzer off
----	-----------	-----	------------

Output model	Input	K1	K2	K3
Relay output	AC in	ON	OFF	ON/OFF
Relay output	DC in	OFF	OFF	ON/OFF
Transistor NPN	DC in	OFF	ON	ON
Transistor PNP	DC in	OFF	ON	OFF

Interface circuit diagram between door detector and power supply



EN 81-20: 2014 Section 5.3.6.2.2.1 b) 1) and 2)

The STATUS output has been added to the F series power supply to provide a separate confirmation that the door detector system is functioning correctly. It is a NC 'NC1' (failsafe) output. Some interpretations of the standard require this output. The majority do not.

NC (1 & 3) or NO (2 & 3)	Beams are interrupted
	Wiring defective
	Diodes defective
STATUS NC1 (3 & 4) 'optional output'	NC PWS power on 'OK'
	NC Microprocessor 'OK'
	NO System fault

The NC1 'STATUS' output is an optional extra connection to satisfy those interpretations of the standard that require a separate door detector system feedback.

When connected, it functions in parallel with the NC/NO outputs.

Therefore, a double positive output is required to indicate the door detector beams are all working and that the system STATUS is 'OK'.

If the NC1 is not connected, the power supply and door detector will function normally.